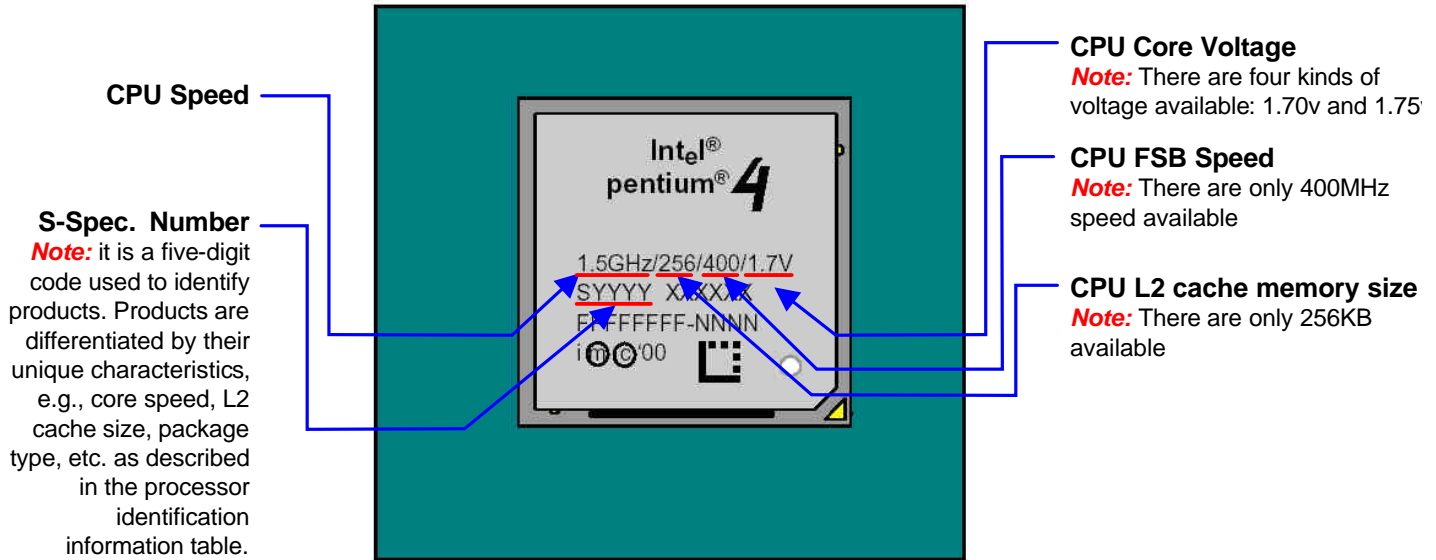


## How to identify your Intel P4 CPU?

Before starting, you have to know there are two package types for Intel P4 CPU: 423-pin and 478-pin package. Here comes the detail information about CPU model identifications:

### Pentium 4 processor in the 423-pin package and boxed Pentium 4 processor in the 423-pin package markings



### Pentium 4 processor in the 478-pin package and boxed Pentium 4 processor in the 478-pin package markings

